

Web BACnet Router



DESCRIPTION

BACnet router with the additional BACnet/ Modbus bridge functionality. In addition, this device contains application layer with compact SQL database, accessible through a web service. Configuration is done through web interface or the USB port. BACnet routing is established through the Ethernet port and four RS485 ports. Up to 32 of Bacnet/IP and Modbus/IP layers are supported through one Ethernet physical layer. Routing table is flexible and may contain up to 65533 entries. Both serial (RTU and ASCII) and IP Modbus are supported.

TECHNICAL DATA

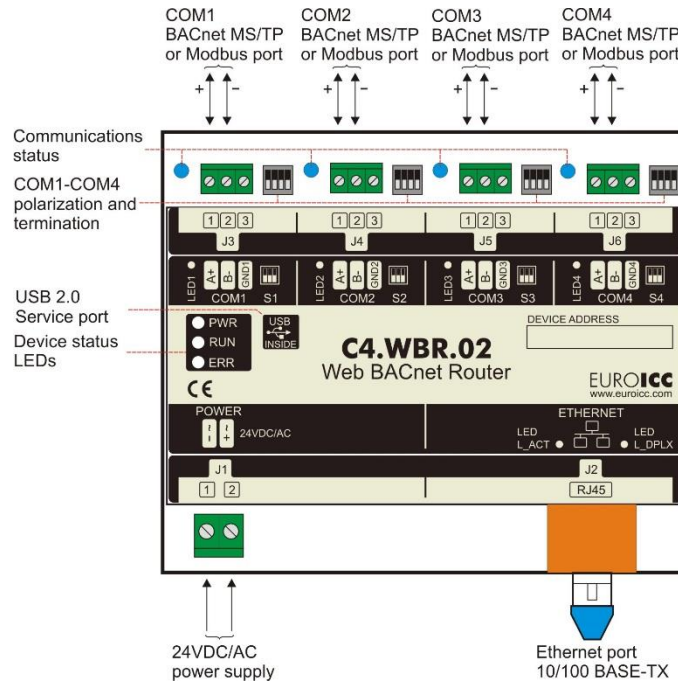
<i>Electrical specifications</i>	Power supply	24VAC/VDC 5W
<i>Communication channels</i>	Ethernet	10/100BASE-TX
	4 x RS485	BACnet MS/TP or Modbus. Programmable baud rate (4800, 9600, 19200, 38400, 57600, 76800, 115200)
	USB	USB device, USB mini connector service port
	<i>Hardware resources</i>	Microprocessor
	RAM memory	64 MB
	Flash memory	256 MB
	RTC	With backup power supply
<i>Additional specifications</i>	Operating temperature	-10 ... +70 °C
	Storage temperature	-40... +85 °C
	Operating humidity	max 95% r.H., no condensation
	Protection degree	IP20
	Mounting	Din rail, for indoor use only
	Dimensions	107.6x90x62.2mm
	Weight	250g

PRODUCT FEATURES

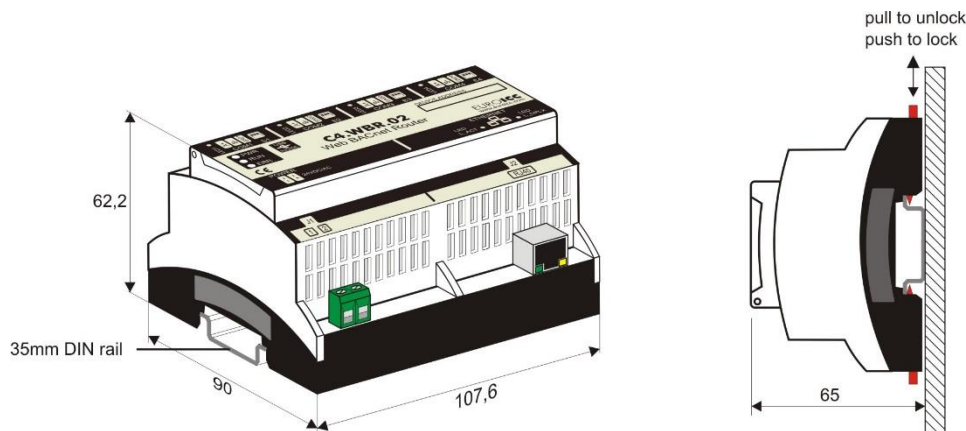
- Available ports: 1x Ethernet port, 4 x RS485 ports
- Interchangeable ports for BACnet and Modbus
- Up to 32 of Bacnet/IP and Modbus/IP layers is supported through one Ethernet physical layer Routing table is flexible and may contain 65533 entries
- Device supports time synchronization
- Application layer relies on SQLite database, so that data collected from the networks are available even in case of communication loss
- BACnet application layer supports the following standard BACnet objects : 1. Device, 2. Analog Input, Analog Output, Analog Value, 3. Binary Input, Binary Output, Binary Value, 4. Multi -State Input, Multi -State Output and Multi -State Value, 5. File, 6. Additional BACnet objects by software updates

- Modbus application layer supports the following functions :1. Read Coils, Read Discrete Inputs, 2.Read Holding Registers, Read Input Registers, 3.Write Single Coil, Write Single Register, 4. Write Multiple Coils, Write Multiple Registers, 5. Read File Record, Write File Record
- RTC (real-time clock) with backup power supply;
- LED indicators for device and communication status.

WIRING AND RESOURCES



DIMENSIONS AND MOUNTING



SAFETY NOTES

- The device is not allowed to be used outside the specified field of application, especially in aircraft or in any other airborne means of transport.
- It may only be installed by suitably trained personnel.
- Any legal regulations or regulations issued by authorities must be observed during assembly.
- The device may only be opened at the manufacturer’s site. It does not contain any parts that can be replaced or repaired by the user.
- The device contains electrical and electronic components and is not allowed to be disposed of as household refuse. All locally valid regulations and requirements must be observed.